

Directions for Setting Price on VR-10 Computers

From \$0.000 to \$0.999 (1/10¢ Price Increment)

- 1) Set price wheels by positioning and fully engaging range arms (see Figure 1).
- 2) Move dollar shift lever to "central" position (see Figure 2).
- 3) Set price range shift lever in the "L" or "1/10" position (see Figure 3).
- 4) Dollar drive shaft vertical pin stays in place (see Figure 4).
- 5) Color coded idler gears not engaged (see Figure 5).
- 6) Dollar price wheel should be in "blank" position. If not, remove cotter pin, lift wheel, turn into position, lower wheel, replace cotter pin.

From \$1.000 to \$1.999 (1/10¢ Price Increment)

- 1) Set price wheels by positioning and fully engaging range arms (see Figure 1).
- 2) Move dollar shift lever to "100" position (see Figure 2).
- 3) Set price range shift lever in the "L" OR "1/10" position (see Figure 3).
- 4) Dollar drive shaft vertical pin stays in place (see Figure 4).
- 5) Color coded idler gears not engaged (see Figure 5).
- 6) Dollar price wheel should be in "1" position. If not, remove cotter pin, lift wheel, turn into position, lower wheel, replace cotter pin.

From \$2.000 to \$2.999 (1/10¢ Price Increment)

- 1) Set price wheels by positioning and fully engaging range arms (see Figure 1).
- 2) Move dollar shift lever to "200" position (see Figure 2).
- 3) Set price range shift lever in the "L" or "1/10" position (see Figure 3).
- 4) Dollar drive shaft vertical pin stays in place (see Figure 4).
- 5) Color coded idler gears not engaged (see Figure 5).
- 6) Dollar price wheel should be in "2" position. If not, remove cotter pin, lift wheel, turn into position, lower wheel, replace cotter pin.

From \$3.000 to \$3.999 (1/10¢ Price Increment)

- 1) Set price wheels by positioning and fully engaging range arms (see Figure 1).
 - 2) Move dollar shift lever to "200" position (see Figure 2).
 - 3) Set price range shift lever in the "L" OR "1/10" position (see Figure 3).
 - 4) Remove dollar drive shaft vertical pin (see Figure 4 on page 3 and photos page 4)
 - 5) White color coded gear engaged (see Figure 6).
- Detail: Remove cotter pin. Remove gear group. Remove washer. Install white gear onto green gear. Install black gear, hub side down, onto green gear. Install red gear, hub side up, onto green gear. Install gear group on shaft. Install washer. Install cotter pin.
- 6) Move dollar price wheel to "3" position.
- Detail: Remove cotter pin, lift wheel, turn into position, lower wheel, replace cotter pin.



PMP CORPORATION
P.O. Box 422 • 25 Security Drive
Avon, CT 06001

Local Tel: 860-677-9656
Local Fax: 860-674-0196
Email: sales@pmp-corp.com
Web: www.pmp-corp.com



© PMP Corp

Directions for Setting Price on VR-10 Computers

From \$4.000 to \$4.999 (1/10¢ Price Increment)

- 1) Set price wheels by positioning and fully engaging range arms (see Figure 1).
- 2) Move dollar shift lever to "200" position (see Figure 2).
- 3) Set price range shift lever in the "L" or "1/10" position (see Figure 3).
- 4) Remove dollar drive shaft vertical pin (see Figure 4 on page 3 and photos page 4).
- 5) Red color coded gear engaged (see Figure 7).

Detail: Remove cotter pin. Remove gear group. Remove washer. Restack black and red gears upside down on green gear. Install white gear on black gear. Install gear group on shaft. Install washer. Install cotter pin.

- 6) Move dollar price wheel to "4" position.

Detail: Remove cotter pin, lift wheel, turn into position, lower wheel, replace cotter pin.

From \$5.000 to \$5.999 (1/10¢ Price Increment)

- 1) Set price wheels by positioning and fully engaging range arms (see Figure 1)
- 2) Move dollar shift lever to "200" position (see Figure 2).
- 3) Set price range shift lever position to the "L" or "1/10" position (see Figure 3).
- 4) Remove dollar drive shaft vertical pin (see Figure 4 on page 3 and photos page 4).
- 5) Black color coded gear engaged (see Figure 8).

Detail: Remove cotter pin. Remove gear group. Remove washer. Install black gear group upside down on green gear. Install white and red gears on black gear. Install gear group on shaft. Install washer. Install cotter pin.

- 6) Move dollar price wheel to "5" position.

Detail: Remove cotter pin, lift wheel, turn into position, lower wheel, replace cotter pin.

From \$0.000 to \$9.99 (1¢ Price Increment)

- 1) Set price wheels by positioning and fully engaging range arms (see Figure 1)
- 2) Move dollar shift lever to "central" position (see Figure 2).
- 3) Set price range shift lever clockwise in the "H" position or "1" position (see Figure 3).
- 4) Dollar drive shaft vertical pin stays in place (see Figure 4 on-page 3 & photos page 4)
- 5) Color coded idler gears not engaged (see Figure 5).
- 6) Move dollar price wheel to "blank" position.

Detail: Remove cotter pin, lift wheel, turn into position, lower wheel, replace cotter pin.



PMP CORPORATION
P.O. Box 422 • 25 Security Drive
Avon, Ct 06001

Local Tel: 860-677-9656
Local Fax: 860-674-0196
Email: sales@pmp-corp.com
Web: www.pmp-corp.com



© PMP Corp



Directions for Setting Price on VR-10 Computers

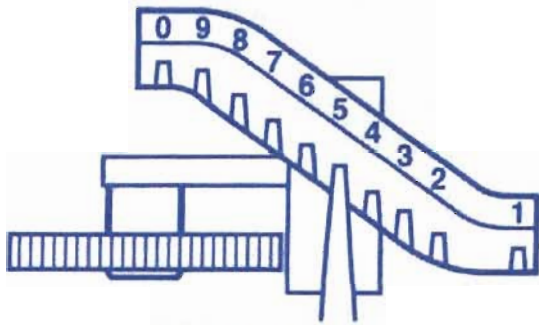


FIGURE 1

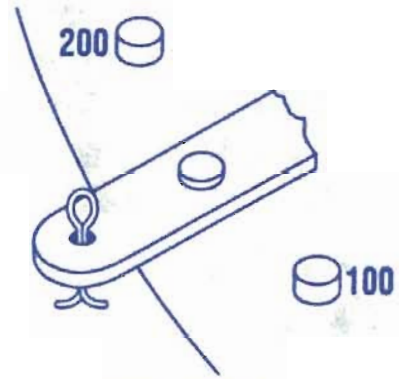


FIGURE 2



FIGURE 3

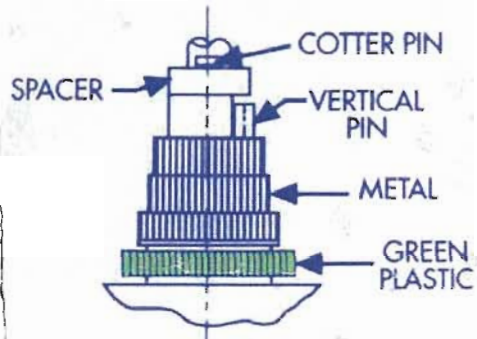
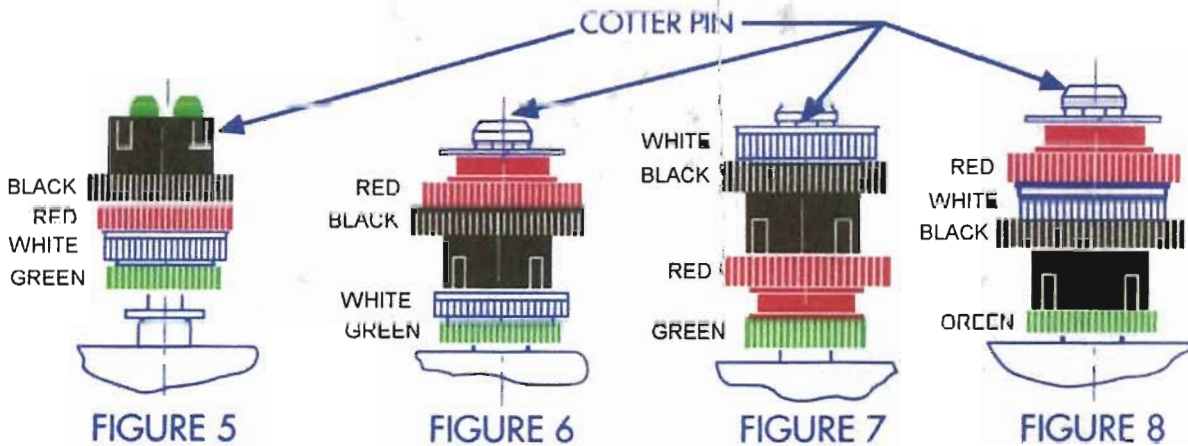


FIGURE 4



PMP CORPORATION
P.O. Box 422 • 25 Security Drive
Avon, CT 06001

Local Tel: 860-677-9656
Local Fax: 860-674-0196
Email: sales@pmp-corp.com
Web: www.pmp-corp.com





Directions for Setting Price on VR-10 Computers

IMPORTANT NOTICE: Computers are shipped with price set at \$2.111 per gallon.

If you raise the price to \$3.000 or higher from any price \$2.999 and lower, make sure you perform Step #4 of the instructions:

STEP #4: "REMOVE DOLLAR DRIVE SHAFT VERTICAL PIN"

The computer will jam if the Vertical Pin is not removed

(Continue with Step #5 of the price setting instructions)

Note: Save the vertical pin. It must be re-installed for prices \$2.999 and lower.



Remove cotter pin above spacer



Lift spacer, remove Dollar Drive Shaft Vertical Pin



Lower spacer, re-install cotter pin



PMP CORPORATION - Box 422 • 25 Security Drive - Avon, CT 06001
Tel: 860-677-9656 - Fax: 860-674-0196 - E-mail sales@pmp-corp.com